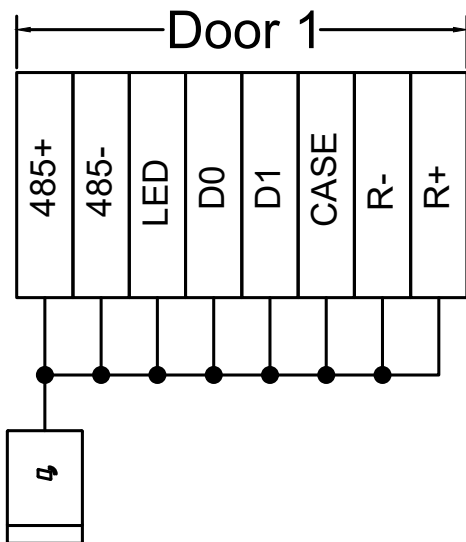
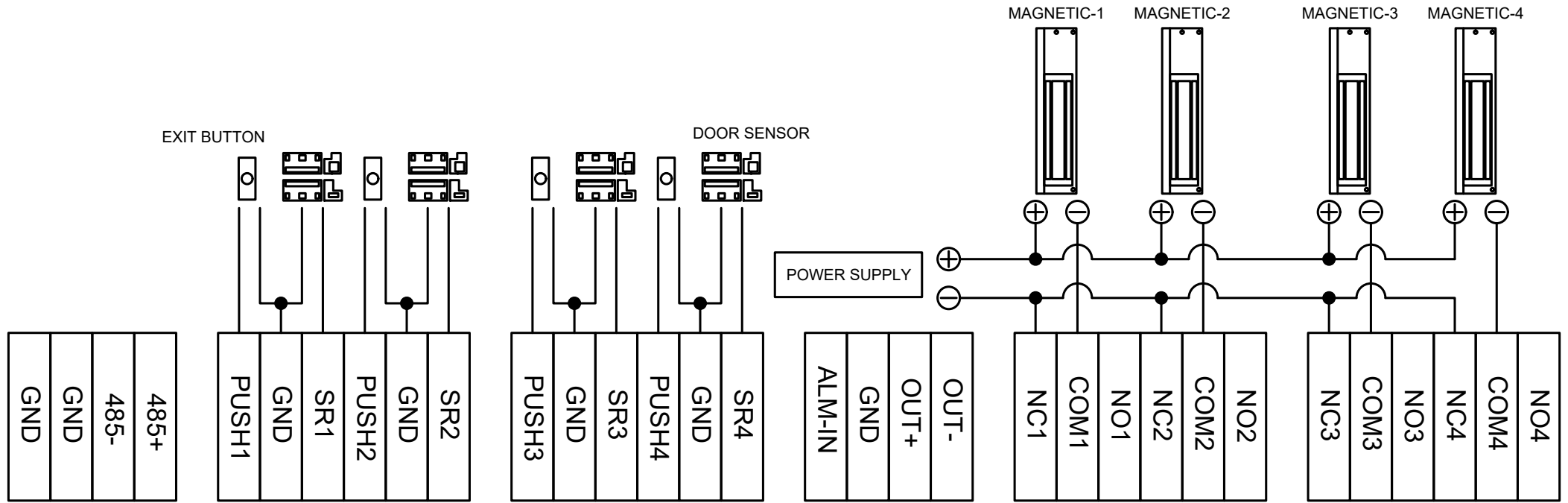
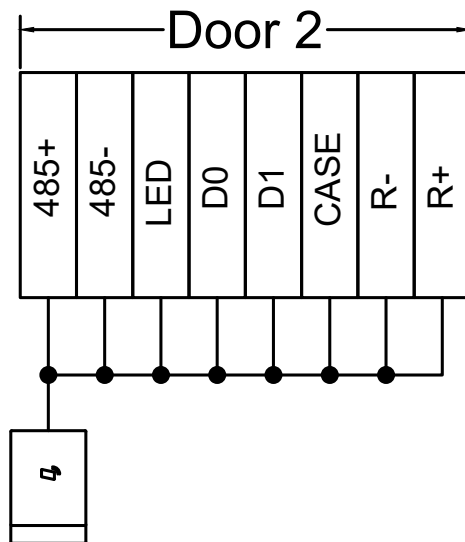


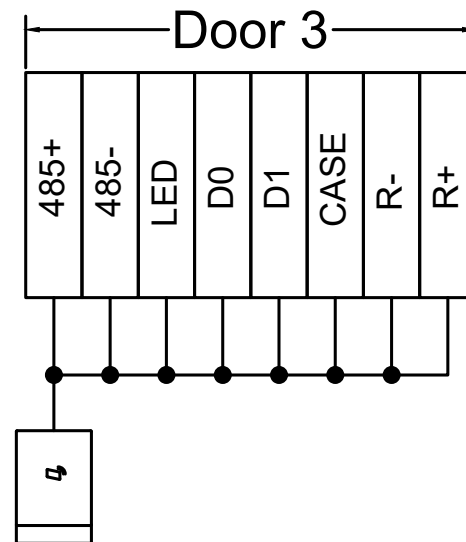
Wiring Diagram : ZDC1204



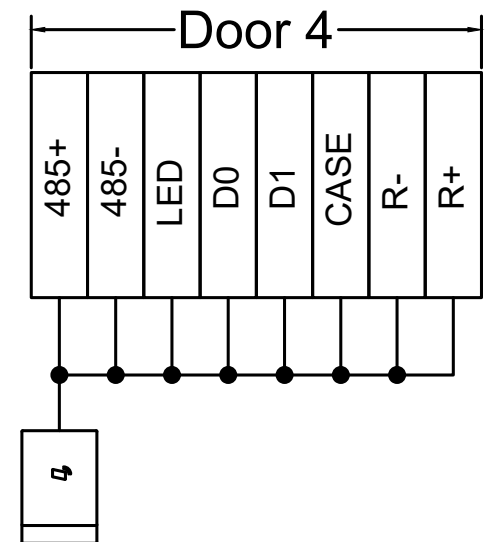
CARD READER



CARD READER



CARD READER



CARD READER