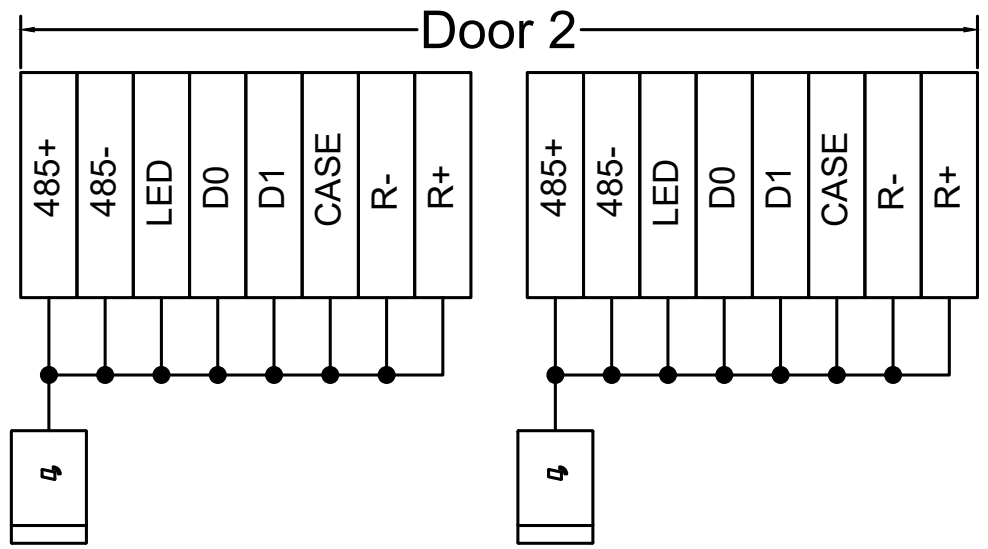
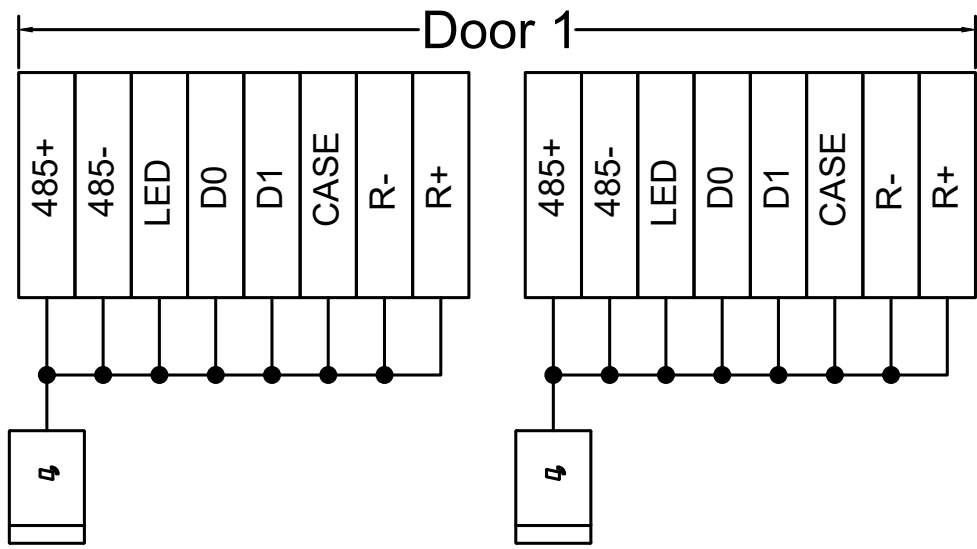
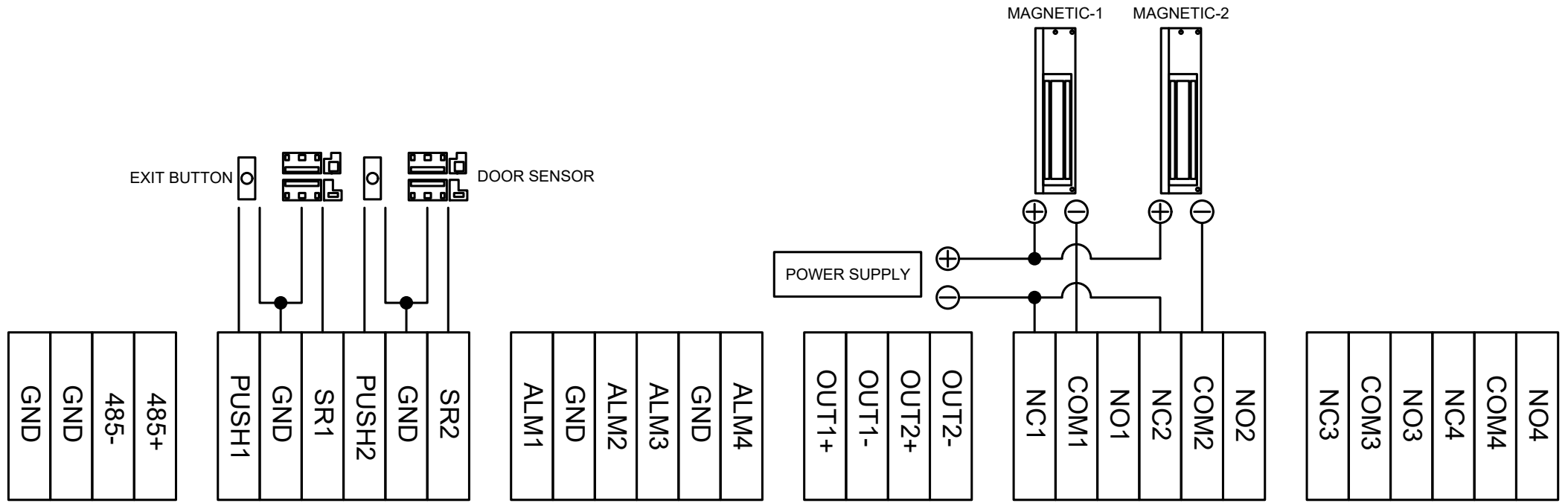


# Wiring Diagram : ZDC1202



CARD READER

CARD READER

CARD READER

CARD READER