

Panasonic
ideas for life

Colour Dome Cameras
WV-CF294/284



HIGH PERFORMANCE
COMPACT COLOUR DOME CAMERA
WITH NEWLY-DEVELOPED
DIGITAL SIGNAL PROCESSOR

ADVANCED FEATURES, HIGH PICTURE QUALITY, COST EFFICIENCY



Superb Picture Quality that Approaches Reality, Easy Installation, High Cost Performance.

The new WV-CF294/284 compact dome cameras from Panasonic are equipped with a recently-developed high-performance DSP that provides better image quality. Adaptive Black Stretch technology transforms dark areas into crisp images like those seen by the human eye. The WV-CF294/284 also provides easier installation including further accuracy and simple focus adjustment through a newly-developed Auto Back Focus* mechanism. Also features high cost performance. The WV-CF294/284 can be used at a variety of sites including offices, retail stores, restaurants and shopping malls. * WV-CF294 only

High image quality

Equipped with Adaptive Black Stretch

Transforms dark areas into natural and crisp images

Adaptive Black Stretch

The image processing algorithm built into the newly-developed DSP enables the transformation of shadows and dark areas into natural and crisp images in real time. It can reproduce images that are more similar to human sight.

Reproducing clear images down to the smallest detail

Horizontal resolution of 540 TV lines in colour mode

It can reproduce images clearly, down to the smallest detail, making it easier to identify objects.

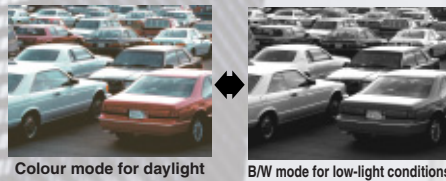
Powerful in low light

Minimum illumination intensity of 0.9 lux in colour mode

Introduction of a new circuit provides high sensitivity at a minimum illumination intensity of 0.9 lux in colour mode. Clear and colour monitoring is possible even in low light.

Day/Night feature

When surrounding areas dim, the mode automatically switches from colour to black and white while sensitivity is increased. Additionally, when the surrounding area brightens, the mode automatically switches back to colour.



* No IR filter shifting

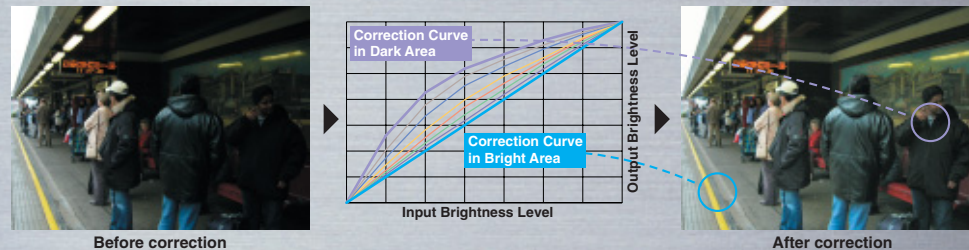


Equipped with additional correction features

Both cameras are equipped with various correction features including Back-Light Compensation (BLC), Auto Tracing White Balance (ATW) and Automatic Light Control (ALC). These features enable installation in a wide-range of environments.

Newly-developed DSP utilizing the first Adaptive Black Stretch technology in the Security industry

The new DSP to automatically detect dark areas inside an image, detecting brightness data around dark area and conducting tone correction in real time by determining the most suitable correction curve for each area. This image processing algorithm corrects for shadows and dark areas producing natural, crisp images in real time.



Newly-developed DSP

Easy installation

Newly-developed Auto Back Focus (ABF)

Accurate focus adjustment

Auto Back Focus (ABF) (WV-CF294 only)

The WV-CF294 is equipped with the newly-developed Auto Back Focus (ABF). After adjusting the viewing angle, you can precisely focus the camera simply by pushing the Auto Back Focus (ABF) button on the camera body.



Easy viewing angle adjustment

3.6x Variable Focal Lens (WV-CF294 only)

The WV-CF294 comes equipped with a 3.6x variable focal lens. The focal length is 2.8~10.0mm, enabling a variety of viewing angle adjustments. It allows installation in high locations such as airport ceilings and hotel ballrooms. The WV-CF284 comes equipped with a 2x variable focal lens with a focal length of 2.8~6.0mm.

Monitor output terminal

When connecting a portable LCD to the monitor output terminal, you can adjust the viewing angle while confirming the image on the spot.



Three-way hinge

The camera platform inside the dome has a three-way hinge that allows horizontal and vertical rotation, as well as swivel rotation, enabling flexible camera angle adjustment. Additionally, you can install the camera anywhere, not only on the ceiling but also on walls or inside elevators.

Plus, other features for flexible system configuration

24V AC/12V DC

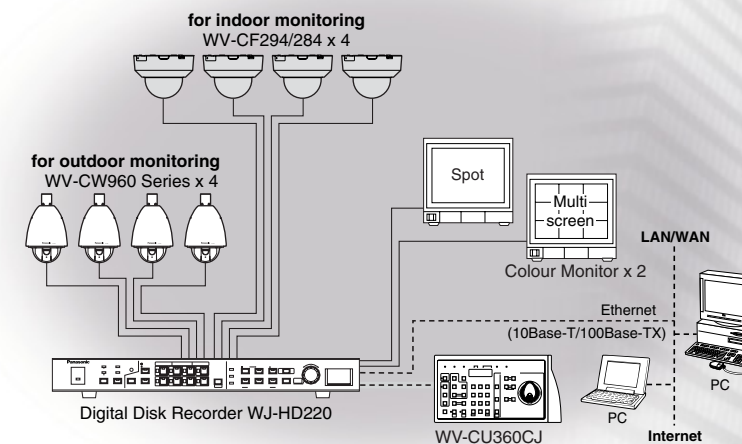
Both 24V AC/12V DC are available. Accordingly, you can use these cameras in a variety of installation environments.



Multi-channel camera systems

Simultaneously supports two types of synchronization modes, Internal and VD2. These cameras also easily facilitate the establishment of multi-channel systems using multiple cameras.

System Example



The above photographs were taken for the purpose of this explanation; actual performance and images may vary depending on environmental or other conditions.

STANDARD PRODUCT CONFIGURATIONS

<p>Colour Dome Camera WV-CF294</p>  <ul style="list-style-type: none"> • Auto Back Focus (ABF) • 3.6x Variable Focal Lens 	<p>Colour Dome Camera WV-CF284</p>  <ul style="list-style-type: none"> • 2x Variable Focal Lens
---	--

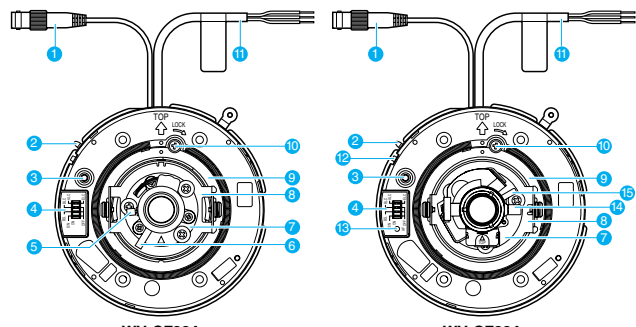
SPECIFICATIONS PAL

Model No.	WV-CF294	WV-CF284
Camera	1/4-type interline transfer CCD	
Image Sensor	752 (H) x 582 (V)	
Effective Pixels	2:1 interlace scan	
Scanning Mode	3.6 (H) x 2.7 (V) mm (equivalent to scanning area of 1/4" pick-up tube)	
Scanning Area	Horizontal: 15.625 kHz Vertical: 50 Hz	
Scanning Frequency	625 lines	
Scanning Line	540 TV lines	
Horizontal Resolution	0.9 lux at F1.3 (WIDE) 0.9 lux at F1.4 (WIDE)	
Minimum Illumination	50 dB (equivalent to AGC Off, Weight On)	
Signal-to-Noise Ratio	ATW only	
White Balance	Always ON	
AGC/GAIN	ABF	
Back Focus Adjustment	—	
Light Control	ALC / ELC	
Adaptive Black Stretch	ON / OFF with BLC ON / OFF	
Synchronization	Internal (INT), Multiplexed Vertical Drive (VD2)	
Black and White Mode	ON / OFF (No IR filter shifting)	
Lens	Type: 3.6x variable focal lens 2.0x variable focal lens	
Type	Focal Length: 2.8 ~ 10 mm 2.8 ~ 6.0 mm	
Focal Length	Angular Field of View: H: 73.5° (WIDE) ~ 20.8° (TELE) H: 72.6° (WIDE) ~ 35.6° (TELE)	
Angular Field of View	V: 54.4° (WIDE) ~ 15.6° (TELE) V: 54.0° (WIDE) ~ 26.7° (TELE)	
Focusing Range	1.2 m ~ ∞	
Panning Range	Panning range: +180° ~ -140° Tilting range: ±75°	
Input/Output	Azimuth range: ±100°	
Video Output	1.0 V [p-p] / PAL composite 75 Ω / BNC Connector	
Monitor Output	Multiplexed VD2 capable	
General	1.0 V [p-p] / 75 Ω / PAL composite signal / ø 3.5 mm RCA jack	
Power Source and Power Consumption	24 V AC 50 Hz, 2.7 W	
Ambient Operating Temperature	12 V DC, 220 mA	
Ambient Operating Humidity	-10 °C ~ +50 °C	
Dimensions (D x H)	90 % or less (no condensation)	
Weight (approx.)	ø 129.5 mm x 93 mm	
	460 g	

OPTIONAL COMPONENTS & ACCESSORIES

<p>Digital Disk Recorders WJ-HD316A (16ch) PS•Data</p> <p>WJ-HD309A (9ch) PS•Data</p> 	<p>WJ-HD220 (8ch) PS•Data</p>
<p>System Controllers WV-CU650 PS•Data</p>  <p>WV-CU360CJ PS•Data</p> 	<p>LCD AV Monitors WV-LC1710 43.2cm (17") WV-LD2000 50.8cm (20") WV-LD1500 38.1cm (15")</p> 

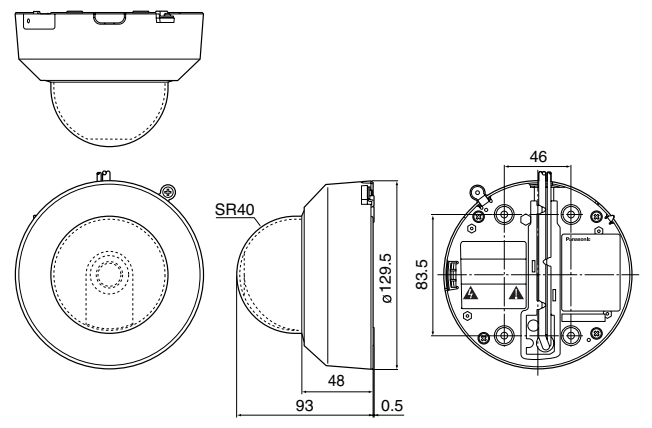
MAJOR OPERATING CONTROLS & TERMINALS



WV-CF284 **WV-CF294**

- 1 Video Output Connector
- 2 Marker
- 3 Monitor Output Jack
- 4 Dip Switch
- 5 Focus Lock Lever (WV-CF284 only)
- 6 Zoom Lock Lever (WV-CF284 only)
- 7 Azimuth Adjuster
- 8 Tilting Table
- 9 Panning Table
- 10 Panning Table Lock Screw
- 11 Power Cable
- 12 AF Switch (WV-CF294 only)
- 13 LED for AF (WV-CF294 only)
- 14 Focus Lock Lever (WV-CF294 only)
- 15 Zoom Lock Lever (WV-CF294 only)

APPEARANCE



Unit: mm

SR40

ø 129.5

83.5

46

48

0.5

93

Important – Safety Precaution: carefully read the operating instructions and installation manual before using this product.

• All TV pictures are simulated. • Weights and dimensions are approximate. • Specifications are subject to change without notice. • These products may be subject to export control regulations.

DISTRIBUTED BY:

Panasonic System Solutions Company
Matsushita Electric Industrial Co., Ltd.
4-3-1, Tsunashima-higashi, Kohoku-ku, Yokohama,
223-8639, Japan
Tel 81(0)45-540-5769
Fax 81(0)45-540-5773
URL <http://panasonic.co.jp/pss/cctw/en/index.html>

Panasonic

Panasonic is the brandname of Matsushita Electric.
Printed in Japan WV-JKCF294C(2N-764)