

**Preliminary**

**NTSC WV-NW502S** (12 V DC or PoE)

**PAL WV-NW502S** (12 V DC or PoE)



## Megapixel H.264 Vandal Resistant Network Camera featuring *Super Dynamic*

### Key Features

- Multiple H.264 (High profile) streams and JPEG streams ensure simultaneous real time monitoring and high resolution recording by "UniPhier®" Panasonic's proprietary System LSI platform.
- Full frame (Up to 30 fps) transmission at 1,280 x 960 image size (1.3 Megapixel mode)
- **Super Dynamic** and ABS (Adaptive Black Stretch) technologies deliver 128x wider dynamic range compared to conventional cameras.
- Up to 3 Megapixel (2,048 x 1,536) JPEG stream (3 Megapixel mode, JPEG only)
- H.264 and MPEG-4 are selectable for system migration.
- High sensitivity with Day/Night function: 1.0 lux (Color), 0.08 lux (B/W) at F1.2 (Wide, 1.3 Megapixel mode)
- ABF (Auto Back Focus) ensures easy installation and stable focus in both color and B/W modes.
- Adaptive Digital Noise Reduction: Integration of 2D-DNR and 3D-DNR ensures noise reduction in various conditions.
- Progressive scan ensures clear images with less motion blur and no tearing even when the subject is moving.
- Superior color reproduction by primary (RGB) color filter
- Electronic sensitivity enhancement: Auto (Up to 16x) / OFF
- Selectable light control modes: Outdoor / Indoor / ELC / Fixed electronic shutter  
Outdoor / Indoor: Electronic shutter and ALC lens iris control are automatically controlled depending on the mode and luminance level.  
ELC: Up to 1/10,000 Electronic shutter is automatically applied for a fix iris lens.  
Fixed electronic shutter: Up to 1/10,000 fixed electronic shutter can be selectable.
- VMD (Video Motion Detector) with 4 programmable detection areas, 15 steps sensitivity level and 10 steps detection size
- Face detection detect the position of human face, the information is sent by XML or video stream.
- Meta data for VMD is supplied to work with the WJ-ND400 playback VMD function.
- Privacy Zone can mask up to 8 private areas, such as house windows and entrances/exits.
- 2x, 4x digital zoom controlled by browser
- Camera title display: Up to 20 alphanumeric characters on the browser, Up to 16 alphanumeric characters with three selectable character sizes embedded in the image
- Alarm sources including 3 terminal input, VMD and Panasonic alarm command can trigger actions such as SD/SDHC memory recording, FTP image transfer, E-mail notification, Indication on browser, Alarm terminal output, and Panasonic protocol output.
- Full duplex bi-directional audio allows interactive communication between camera site and monitoring site.
- JPEG image compression ratio can be changed by alarm so that high quality image can be provided.

- Prioritized stream control: One of the video streams can be prioritized when multiple recorders or client PCs are accessing the camera so that the recorder or the client PC can maintain the frame rate.
- SD/SDHC Memory card slot for manual recording, alarm recording and backup upon network failure.
- H.264/MPEG-4 max. bit rate/client and Total bit rate control allows flexible network traffic management. Frame rate priority mode controls bit rate and compression ratio to provide the specified frame rate.
- Alarm log, Manual REC log, FTP error log saved in the SD/SDHC memory card is displayed on the browser GUI and can be downloaded to the client PC. Playback or Image data download through the log is also available.
- Internet mode: H.264/MPEG-4 images can be transmitted over HTTP protocol.
- Multi-language GUI and setup menu: English, French, Italian, Spanish, German, Russian (PAL) / English, French (NTSC) \* Installation required except for English
- IPv4/IPv6 protocol supported
- Analog Monitor output for easier installation
- IP66 rated water and dust resistant. Compatible with IEC60529 measurement standard.
- Dehumidification device for use in various weather conditions
- Vandal resistant mechanism for high reliability
- 2.8 ~ 8.0 mm, 2.8x Varifocal Auto Iris lens

### Standard Accessories

• CD-ROM* .....	1 pc.	• Mounting Bracket .....	1 pc.
• Operating Instructions, Basic Manual ...	1 pc.	• Base Cover .....	1 pc.
• Label (MAC address) .....	1 pc.	• Screws for mounting bracket (M4 x 8).....	5 pcs.
		• Bit for tamperproof screw .....	1 pc.
		• Butyl tape .....	1 pc.
The followings are for installation.			
• 2-pin Power Cable .....	1 pc.	* The CD-ROM contains Panasonic IP Setup Software, viewer software "Network Camera View 4", and Standard Operation Manual/Standard Setup Manual (PDF).	
• 4-pin Alarm Cable .....	1 pc.		
• Camera Attachment.....	1 pc.		

### Optional Accessories

Embedded Ceiling Mount Bracket  
**WV-Q169**



Smoke Dome Cover  
**WV-CW4S**



# Specifications

TV System	NTSC	PAL
<b>Camera</b>		
Image Sensor	1/3 inch interline transfer CCD	
Effective Pixels	1,296 (H) x 976 (V) x2	
Scanning Mode	Progressive scan	
Scanning Area	4.86 mm (H) x 3.65 mm (V)	
Minimum Illumination	1.3 Megapixel mode: Color: 1.0 lux, B/W: 0.08 lux at F1.2 (Shutter: 1/30 s, SD: OFF), Color: 0.06 lux, B/W: 0.005 lux at F1.2 (Shutter: 16/30 s, SD: OFF) 3 Megapixel mode: Color: 2.0 lux, B/W: 0.16 lux at F1.2 (Shutter: 1/30 s), Color: 0.12 lux, B/W: 0.01 lux at F1.2 (Shutter: 16/30 s)	
White Balance	AWC (2,000 - 10,000 K), ATW1 (2,700 - 6,000 K), ATW2 (2,000 - 6,000 K)	
Light Control Mode	Outdoor: Automatic integration of ALC and ELC Indoor: Automatic integration of ALC and ELC (up to 1/100 sec.) ELC: (up to 1/10,000 sec.) Fix shutter: 3/100 fix, 2/100 fix, 1/100 fix, 1/250 fix, 1/500 fix, 1/1,000 fix, 1/2,000 fix, 1/4,000 fix, 1/10,000 fix	
Super Dynamic	ON / OFF (1.3 Megapixel mode only)	
Dynamic Range	52 dB typical (Super Dynamic: ON, Light Control mode: Indoor)	
Adaptive Black Stretch	ON / OFF	
AGC	ON (LOW, MID, HIGH) / OFF	
Electronic Sensitivity UP	OFF / AUTO (Max. 2x (2/30 s), 4x (4/30 s), 6x (6/30 s), 10x (10/30 s), 16x (16/30 s))	
Black and White Mode	Mode: AUTO1 / AUTO2 / AUTO3 / ON / OFF, Level: High / Low, with external control	
Digital Noise Reduction	High / Low	
Video Motion Detection	4 areas, Sensitivity: 15 steps, Detection size: 10 steps	
Privacy Zone	Up to 8 zones, Gray / Mosaic	
Up Side Down	ON / OFF	
Auto Image Stabilizer	ON / OFF	
Camera Title (OSD)	Up to 16 alphanumeric characters (3 selectable character sizes)	
Back Focus Adjustment	ABF / MANUAL, ABF mode upon CL/BW switching: AUTO / PRESET / FIX	
<b>Lens</b>		
Vari Focal Length	2.8 mm - 8 mm	
Angular Field of View	H: 35.0° (Tele) - 100° (Wide), V: 26.2° (Tele) - 73.5° (Wide)	
Maximum Aperture Ratio	1 : 1.2	
Focusing Range	0.3 m - ∞	
<b>Browser GUI</b>		
Camera Control	Brightness, AUX ON / OFF, Zoom (1x, 2x, 4x)	
Display Mode	Spot, Quad: Image from 16 cameras can be displayed in 4 different Quad screens or 16 split screen (JPEG only), 20 characters camera title available.	
Digital Zoom	1x, 2x, 4x Controlled by browser GUI	
Camera Title	Up to 20 alphanumeric characters	
Clock Display	Time: 12H / 24H, Date: 5 formats on the browser, Summer time (Manual)	
Alarm Control	Reset	
One Shot Capture	A still picture will be displayed on a newly opened window.	
Audio	Mic (Line) Input: ON / OFF, Audio Output: ON / OFF	
SD Memory Data Download	Images recorded in the SD memory card can be downloaded.	
GUI/Setup Menu Language	English, French (Installation required for French)	English, French, Italian, Spanish, German, Russian (Installation required except for English)
System Log	Up to 100 (Internal), Up to 4,000 (SD memory) error logs	
Supported OS	Microsoft® Windows Vista® Business 32 bit, Microsoft® Windows® XP Home/Professional SP2 The language of the OS must be same as selected GUI language.	
Supported Browser	Microsoft® Internet Explorer® 7.0 (Microsoft® Windows Vista® Business 32 bit), Microsoft® Internet Explorer® 6.0 SP2 (Microsoft® Windows® XP Home/Professional SP2)	
<b>Network</b>		
Network IF	10Base-T / 100Base-TX, RJ-45 connector	
Image Resolution*1	1.3 Megapixel H.264: 1,280 x 960 / VGA (640 x 480) / QVGA (320 x 240), up to 30 fps mode: MPEG-4: VGA (640 x 480) / QVGA (320 x 240), up to 30 fps JPEG: 1,280 x 960 / VGA (640 x 480) / QVGA (320 x 240), up to 30 fps 3 Megapixel H.264: 1,280 x 960 / VGA (640 x 480) / QVGA (320 x 240), up to 15 fps mode: MPEG-4: VGA (640 x 480) / QVGA (320 x 240), up to 15 fps JPEG: 2,048 x 1,536 / 1,280 x 960 / VGA (640 x 480), up to 15 fps	
H.264 / MPEG-4	Transmission Mode	Constant bit rate / Frame rate priority
*1	Max. Frame Rate	1 / 3 / 5 / 10 / 15 / 20* / 30* fps * 1.3 Megapixel mode only
	Max. Bit Rate/Client	64 / 128 / 256 / 384 / 512 / 768 / 1,024 / 1,536 / 2,048 / 3,072 / 4,096 / 8,192* kbps / Unlimited * H.264 mode only
	Image Quality	LOW / NORMAL / FINE
	Refresh Interval	0.1 fps - 30 fps
JPEG	Transmission Type	UNICAST / MULTICAST
	Image Quality	10 steps
	Transmission Type	PULL / PUSH
Audio Compression	G.726 (ADPCM) 32 kbps / 16 kbps	
Audio Mode	OFF / Mic (Line) input / Audio output / Interactive (Half duplex) / Interactive (Full duplex)	
Authentication for Audio	Level 1 only / Level 2 higher / All users	
Total Bit Rate	64 / 128 / 256 / 384 / 512 / 768 / 1,024 / 2,048 / 4,096 / 8,192 kbps / Unlimited	
Supported Protocol	IPv4: TCP/IP, UDP/IP, HTTP, RTSP, RTP, RTP/RTCP, FTP, SMTP, DHCP, DNS, DDNS, NTP, SNMP IPv6: TCP/IP, UDP/IP, HTTP, FTP, SMTP, DNS, NTP, SNMP	
FTP Client	Alarm image transfer, Periodic image transfer, Active/Passive selectable (When the FTP periodic transmission is failed, backup on an optional SD memory card is available.)	
No. of Simultaneous Users	Up to 14 users (Depends on network conditions)	
SD Memory Card (Option)	Manual REC / Alarm REC / Backup upon network failure Compatible SD (SDHC) card: Panasonic SD (SDHC) card: 64 MB, 128 MB, 256 MB, 512 MB, 1 GB, 2 GB, 4 GB*, 8 GB*, 16 GB*, 32 GB* model * SDHC card	
<b>Alarm</b>		
Alarm Source	3 terminal inputs, VMD, Command alarm	
Alarm Log	With SD memory card: 4,000 logs, Without SD memory card: 100 logs	

### Trademarks and registered trademarks

- Microsoft, and Windows are registered trademarks of Microsoft Corporation in the U.S. and other countries.
- UniPhier is a registered trademark of Panasonic Corporation.
- "Super Dynamic", "SDII", "SDIII", "SDS", "SDSLink" and "i-Pro" logos are trademarks or registered trademarks of Panasonic Corporation.

### Important

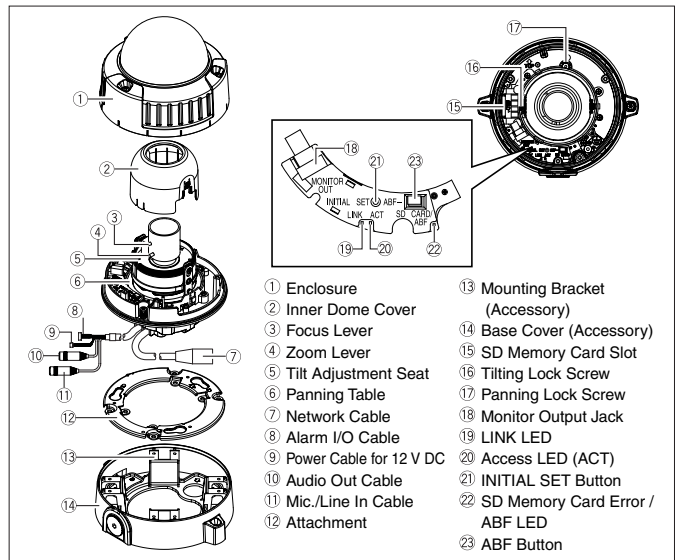
- Safety Precaution: carefully read the operating instructions and installation manual before using this product.
- Panasonic can not be responsible for network performance and/or other manufacturer products that reside on the network.

TV System	NTSC	PAL
<b>Alarm</b>	Alarm Actions SD memory recording, E-mail notification, Alarm terminal output, Indication on browser, FTP image transfer, Panasonic protocol output	
	Schedule Alarm / VMD / Access permission	
<b>Input / Output</b>	Monitor Output 1.0 V [P-P] / 75 Ω, NTSC composite, RCA Jack	1.0 V [P-P] / 75 Ω, PAL composite, RCA Jack
	Microphone/Line Input (Cable) MIC IN and Line IN are selectable. ø3.5 mm stereo mini jack (monaural input) (Applicable microphone: Plug-in power type) Supply voltage: 2.5 V ±0.5 V Input impedance: 3 kΩ ±10 %	
	Audio Output (Cable) ø3.5 mm stereo mini jack (monaural output) Line level	
	External I/O Terminals (Cable) ALARM IN 1 / DAY/NIGHT IN, ALARM IN 2 / ALARM OUT, ALARM IN 3 / AUX OUT / EXPOSURE OUT	
<b>General</b>	Safety/EMC Standard UL (UL60065), FCC (Part15 ClassA), C-UL (CAN/CSA C22.2 No.60065), DOC (ICES003 ClassA)	CE (EN55022 ClassB, EN55024), GOST (GOST R 51558)
	Power Source and Power Consumption 12 V DC: 630 mA, PoE (IEEE 802.3af): 7.6 W	
	Ambient Operating Temperature/Humidity -30 °C ~ +50 °C (-22 °F ~ 122 °F) *2, 90 % or less (without condensation)	
	Water and Dust Resistance IP66, IEC60529 measuring standard compatible	
	Impact Protection IEC 60068-2-75 test Eh, 50J	
	Dimensions ø164 mm x 146 mm (H), 191.5 mm (W) (Base Cover) (ø6-7/16" x 5-3/4" (H), 7-9/16" (W) (Base Cover))	
	Weight (approx.) 1.7 kg (3.74 lbs.) (with Mounting Bracket)	

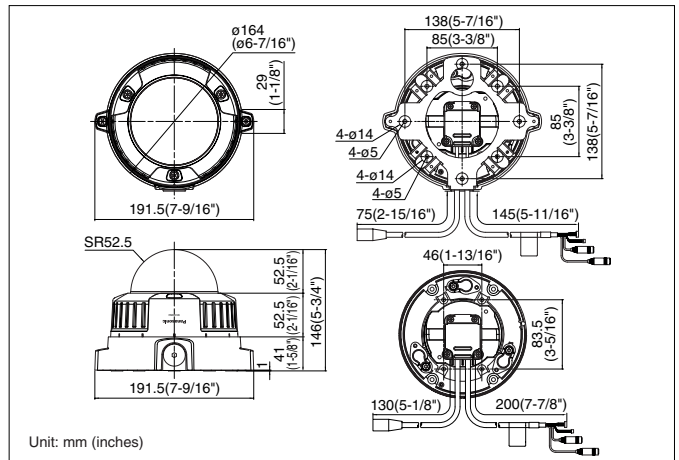
\*1 H.264 and MPEG-4 are alternative.

\*2 When turning on the power at -10 °C (14 °F) or lower, warming up (at least 1 hour) is required before operation and setting.

## Part Names and Functions



## Appearance



- All TV pictures are simulated.
- Weights and dimensions are approximate.
- Specifications are subject to change without notice.
- These products may be subject to export control regulations.
- All product pictures are NTSC models.

DISTRIBUTED BY:

# Panasonic®

<http://panasonic.net/security/>

Printed in Japan (2A-046AL)