



Lens: optional

Day/Night Network Camera featuring a 1.3 Megapixel CCD for superior image

Key Features

- Superior image of 1,280 x 960 pixels, enhancing its identification capability
- MPEG-4/JPEG digital signal output at VGA image size with up to 30 ips
- MPEG-4 and JPEG dual stream output for simultaneous real time monitoring and high resolution recording
- Progressive output ensures clear images with less motion blur and no tearing even when the subject is moving.
- High sensitivity: Color 1.5 lux at F1.4
- ABS (Adaptive Black Stretch) increases visibility of subjects in dark areas without degrading image quality in bright areas by analyzing the "illumination map/signal level distribution" and adjusting gamma correction for each area separately.
- Superior color reproduction by primary (RGB) color filter
- Up to 16x automatic electronic sensitivity enhancement
- Selectable light control modes: Outdoor/Indoor/ELC
 - Outdoor: Up to 1/2,000 Electronic shutter is automatically applied in conjunction with ALC lens iris control depending on the luminance level.
 - Indoor: 1/100, 2/100 or 3/100 electronic shutter is automatically applied depending on the luminance level to eliminate flicker caused by 50 Hz light sources.
 - ELC: Up to 1/10,000 Electronic shutter is automatically applied for a fix iris lens.
- VMD (Video Motion Detector) with 4 programmable detection areas, 15 steps sensitivity level and 10 steps detection size
- Privacy Zone can mask up to 8 private areas, such as house windows and entrances/exits.
- 2x, 4x digital zoom controlled by browser
- Camera title display: Up to 20 alphanumeric characters on the browser, Up to 16 alphanumeric characters with three selectable character sizes embedded in the image
- Alarm sources including Terminal input, VMD and Panasonic alarm command can trigger actions such as SD memory recording, FTP image transfer, E-mail notification, Indication on browser, Alarm terminal output, and Panasonic protocol output.
- Full duplex bi-directional audio allows interactive communication between camera site and monitoring site.
- Image compression ratio can be changed by alarm so that higher quality image can be provided.
- Focus assist: Focus adjustment position is displayed on the screen making it simple to find the best focus position.
- Prioritized stream control: One of the video streams can be prioritized when multiple recorders or client PCs are accessing the camera so that the recorder or the client PC can maintain the frame rate.

- Multiscreen: Image from 16 cameras can be displayed in 4 different Quad screens or 16 split screen (JPEG only). 20 characters camera title is available for each camera.
- FTP client function enables periodic image data transfer or transfer upon alarm.
- SD Memory card slot for manual recording, alarm recording and backup upon network failure.
- MPEG-4 max bit rate/client and Total bit rate control allows flexible network traffic management. Frame rate priority mode controls bit rate and compression ratio to provide the best available frame rate.
- Alarm log, Manual REC log, FTP error log saved in the SD memory card is displayed on the browser GUI and can be downloaded to the client PC. Playback or Image data download through the log is also available.
- Multi-language GUI and setup menu: English, French, Italian, Spanish, German, Russian (PAL), English, French (NTSC), (Installation required except for English).
- Scheduling function for Alarm / VMD / Access permission
- IPv4/IPv6 protocol supported
- Analog Monitor output for easier installation
- Flexible power sources: Power over Ethernet (PoE) IEEE 802.3af, 24 V AC or 12 V DC

Standard Accessories

- | | |
|--|---|
| • CD-ROM* 1 pc. | • Screw (M2.5 x 8) 2 pcs. (including a spare screw) |
| • Installation manual 1 pc. | |
| • Power terminal 1 pc. | |
| • Code Label 1 pc. | |
| • Safety wire plate (for ceiling mount) 1 pc. | |
| • Safety wire lug (for wall mount) 1 pc. | |
- * Panasonic IP setting software, the viewer software, the operating instructions (PDF) and the setup instructions (PDF) are included on the CD-ROM.

Optional Accessory

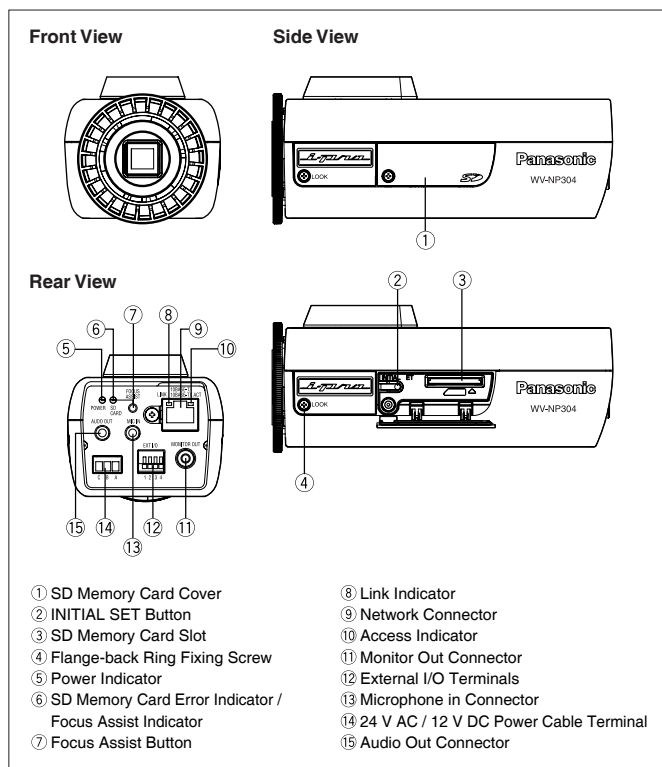
- 1/3 inch 2.8 ~ 6 mm Varifocal Auto Iris Lens
WV-LZA62/2
 F1.4 (wide)
 F2.1 (tele)



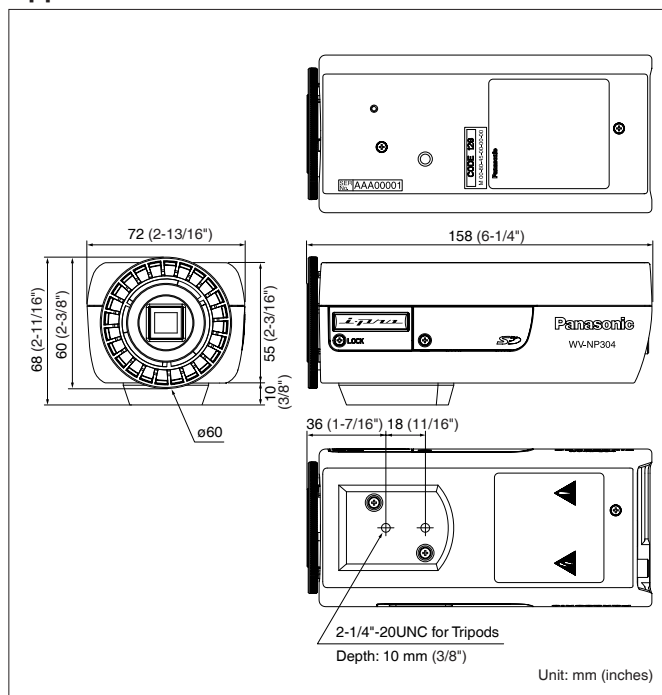
Specifications

TV System	NTSC	PAL
Camera	1/3 inch progressive scan CCD	
Effective Pixels	1,296 (H) x 976 (V)	
Scanning Mode	Progressive Scan	
Scanning Area	4.86 mm (H) x 3.65 mm (V)	
Minimum Illumination	Color: 1.5 lux at F1.4 B/W: 0.9 lux at F1.4	
White Balance	AWC (2,000 - 10,000 K), ATW1 (2,700 - 6,000 K), ATW2 (2,000 - 6,000 K)	
Light Control	Outdoor: Automatic integration of ALC and ELC (up to 1/2,000 sec.) Indoor: Automatic integration of ALC and ELC (up to 1/100 sec.) ELC: (up to 1/10,000 sec.)	
Back Light Compensation	ON (Auto) / OFF (with 8 x 6 mask area)	
AGC	ON (LOW, MID, HIGH) / OFF	
Adaptive Black Stretch	ON / OFF	
Electronic Sensitivity Up	OFF / AUTO (Max. 2x (2/30 s), 4x (4/30 s), 6x (6/30 s), 10x (10/30 s), 16x (16/30 s))	
Black and White Mode	OFF / AUTO (No IR filter moving)	
Digital Zoom	1x, 2x, 4x, Controlled by browser GUI	
Video Motion Detection	4 areas, Sensitivity: 15 steps, Detection size: 10 steps	
Privacy Zone	Up to 8 zones, Gray/Mosaic	
Other Image Controls	R-gain, B-gain, Chroma gain, Pedestal, Aperture (Sharpness)	
Camera Title (OSD)	Up to 16 alphanumeric characters (3 selectable character sizes)	
Back Focus Adjustment	Manual with Focus assist	
Lens Mount	CS mount	
Synchronization	Internal	
Browser GUI	Brightness, AUX ON / OFF, Zoom (1x, 2x, 4x)	
Display Mode	Spot, Quad: Image from 16 cameras can be displayed in 4 different Quad screens or 16 split screen (JPEG only). 20 characters camera title available.	
Digital Zoom	1x, 2x, 4x Controlled by browser GUI	
Camera Title	Up to 20 alphanumeric characters	
Clock Display	Time: 12H / 24H, Date: 5 formats on the browser, Summer time (Manual)	
Alarm Control	Reset	
One Shot Capture	A still picture is displayed on a newly opened window.	
Audio	Mic Input: ON / OFF, Audio Output: ON / OFF	
GUI / Setup Menu Language	English, French (Installation required for French)	English, French, Italian, Spanish, German, Russian (Installation required except for English)
System Log	Up to 100 (Internal), Up to 4,000 (SD memory) error logs	
Supported OS	Microsoft® Windows Vista® Business (32 bit) Microsoft® Windows® XP Home Edition SP2 Microsoft® Windows® XP Professional SP2	
Supported Browser	Windows® Internet Explorer® 7.0 Microsoft® Internet Explorer® 6.0 SP2 (only with Microsoft® Windows® XP Home Edition SP2 or Microsoft® Windows® XP Professional SP2)	
Network	Network IF: 10Base-T / 100Base-TX, RJ45 connector, IEEE 802.3af. PoE compatible	
Image Resolution	1,280 x 960 (JPEG) / VGA (640 x 480) / QVGA (320 x 240)	
Image Compression	MPEG-4: Image quality: LOW / NORMAL / FINE, Transmission type: UNICAST / MULTICAST JPEG: Image quality: 10 steps, Transmission type: PULL / PUSH MPEG-4 and JPEG dual streaming, JPEG multi-resolution supported.	
Image Refresh Rate	0.1 / 0.2 / 0.33 / 0.5 / 1 / 2 / 3 / 5 / 6 / 10 / 15 / 30 ips (Frame rate of JPEG will be reduced when displaying JPEG and MPEG-4 simultaneously)	
Audio Compression	G.726 (ADPCM) 32 kbps / 16 kbps	
Audio Mode	OFF / Mic input / Audio output / Interactive (Half duplex) / Interactive (full duplex)	
Total Bit Rate	64 / 128 / 256 / 512 / 1,024 / 2,048 / 4,096 kbps / Unlimited	
Max Bit Rate / Client (MPEG-4)	Constant bit rate mode: 64 / 128 / 256 / 512 / 1,024 / 1,536 / 2,048 / 3,072 / 4,096 kbps Frame rate priority mode: 4,096 kbps / unlimited	
Supported Protocol	IPv4: TCP/IP, UDP/IP, HTTP, RTP, FTP, SMTP, DHCP, DNS, DDNS, NTP, SNMP IPv6: TCP/IP, UDP/IP, HTTP, RTP, FTP, SMTP, DNS, NTP, SNMP	
FTP Client	Alarm image transfer, FTP Periodic transfer, Active/Passive selectable (When the FTP periodic transmission is failed, backup on an optional SD memory card is available.)	
No. of Simultaneous Users	16 (Depends on network conditions)	
SD Memory Card (Option)	Manual REC/Alarm REC/Backup upon network failure. Compatible SD card: Panasonic 64 MB, 128 MB, 256 MB, 512 MB, 1 GB, 2 GB model. SDHC card is not supported.	
Alarm E-mail	Up to 4 e-mail addresses	
Schedule	Alarm / VMD / Access permission can be enabled/disabled by time schedule	
User Registration	Up to 20 users	
User/Host Level	3 Levels: Administrator, Camera control, Live only	
Security Measures	User authentication (ID 1 - 32 digit, PW 4 - 32 digit), Host authentication (IP address)	
Alarm	Alarm Source: VMD, Command alarm, Terminal input	
Alarm Actions	SD memory recording, E-mail notification, Alarm terminal output, Indication on browser, FTP image transfer, Panasonic protocol output	
Input / Output	Monitor Output: 1.0 V [p-p] / 75 Ω / NTSC composite signal / RCA jack	1.0 V [p-p] / 75 Ω / PAL composite signal / RCA jack
Microphone Input	ø3.5 mm mini-jack (applicable microphone: plug-in-power type) Supply voltage: 2.5 V ±0.5 V, Input impedance: 3 kΩ ±10 %	
Audio Output	ø3.5 mm stereo mini-jack (line-level, monoaural output)	
External I/O Terminals	1x Alarm input, 1x Alarm output, 1x AUX output	
General	Safety / EMC Standard: UL (UL60065), FCC (Part15 ClassA), C-UL (CAN/CSA C22.2 No.60065), DOC (ICES003 ClassA)	CE (EN60065, EN55022 ClassB, EN55024), C-Tick
Power Source / Consumption	12 V DC: 530 mA, 24 V AC 50 / 60 Hz: 5.2 W, PoE (IEEE802.3 af): 6.4W	
Ambient Operating Temperature	-10 °C ~ +50 °C (14 °F ~ 122 °F)	
Ambient Operating Humidity	90 % or less (without condensation)	
Dimensions	72 mm (W) x 68 mm (H) x 158 mm (D) (2-13/16" (W) x 2-11/16" (H) x 6-1/4" (D))	
Weight (approx.)	470 g (1.03 lbs.)	

Part Names and Functions



Appearance



Trademarks and registered trademarks

– Microsoft, and Windows are registered trademarks of Microsoft Corporation in the U.S. and other countries.
– "Super Dynamic", "SDI", "SDII" and "i-Pro" logos are trademarks or registered trademarks of Matsushita Electric Industrial Co., Ltd.

Important

– Safety Precaution: carefully read the operating instructions and installation manual before using this product.
– Panasonic can not be responsible for network performance and/or other manufacturer products that reside on the network.

- All TV pictures are simulated.
- Weights and dimensions are approximate.
- Specifications are subject to change without notice.
- These products may be subject to export control regulations.
- All product pictures are NTSC models.

DISTRIBUTED BY:



ZYNEK TECHNOLOGIES CO.,LTD.

Website : <http://www.zynektechnologies.co.th>

444 4th Floor Olympia Thai Tower, Ratchadapisek Rd., Samsenok, Huaykwang, Bangkok 10310

Tel : (66)0-2513-4330

Fax : (66)0-2513-4426

E-mail : info@zynektechnologies.co.th

Panasonic

<http://panasonic.net/security/>

Printed in Japan (2A-035AA)