

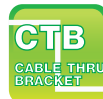
# ZOR562X The Most Durable CCTV Camera

**iNNEKT**

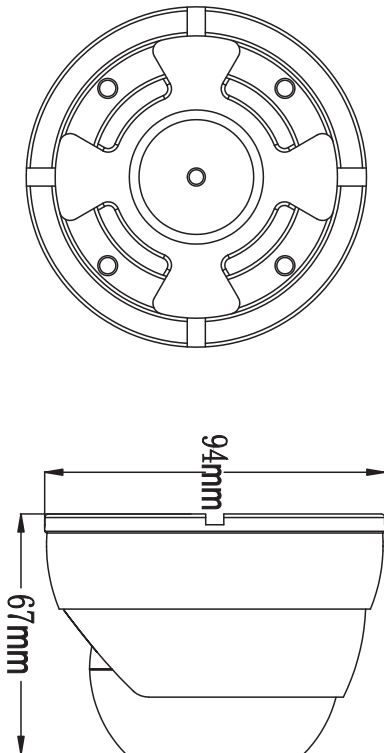
Innovative Technology

## Vandal-Proof IR Dome Camera

- 1/3" SONY Super HAD CCD II with color 560 TV Lines
- Aluminum alloy vandal-proof housing design
- Wide input voltage with internal regulator (DC 9-20V)
- Anti-Exposure IR night vision
- 24 IR LEDs with IR distance 20 Metre
- Hi efficiency 850nm 300deg., IR LED
- IR Reflection free with double glass
- High definition fixed iris 3.6 or 6.0mm board lens
- User-friendly line control OSD for 560 TV Lines
- Constant current circuit for long life IR
- Waterproof IP67 housing rating
- FCC , RoHS , CE Certified



### Dimensions (unit : mm)



### Specification

Model	ZOR562X
Resolution	560 TV Line
Image Pick-up Device	1/3" SONY Super HAD CCD II
Pixels	537(H) x 597(V)
TV system	PAL
Scanning System	2 : 1 Interlace
Lens	3.6mm or 6.0mm
S/N ratio	More than 48 dB (AGC Off)
Video output	1 Vp-p 75 ohm
Menu Function	N / A
Electronic shutter	1/50 - 1/100,000 sec
Min. illumination	0 Lux @ IR "ON"
Gain control	Auto gaining
Back light	Auto backlight compensation
White balance	Auto white balance (2500K - 9500K)
Power supply	DC12V 300mA
IR Distance	20 M
LED quantity	24 pcs $\Phi$ 5 IR 850nm LED
Anti-Exposure IR night vision	Yes
Waterproof rating	IP67
Lighningproof function	Multiple lightning proof
Operation temperature	-10 °C to 50 °C RH 95% Max
Dimension	94mm(D) x 67mm(H)
Weight	430g

FC RoHS CE

www.innekt.com